

BABY LOCK SERGER ACCESSORIES

Single Fold Bias Binder Knit/Woven 15mm

(BLES8-SFB15)



Instructions

This Single Fold Bias Binder will turn fabric strips into binding and attach it to project edges all in one step. Use this attachment with the Baby Lock Coverstitch machine or the Baby Lock Ovation with the optional alternate table (BLES8-CST).

MACHINE SETTINGS

Stitch used:	Left, Center or Right Chain Stitch Narrow Left or Right Cover Stitch Wide Cover Stitch Triple Needle Cover Stitch
Sewing speed:	Moderate to Slow
Stitch length:	3-4

Application:

This Single Fold Bias Binder is a great attachment for binding your project edges with knit or woven fabrics.

Fabrics and Cutting Instructions:

- For binding strips on single knits, cut crosswise grain of fabric.
- For binding strips on woven fabrics, cut strips on the bias grain of fabric.
- For the 15mm binder - cut strips 40mm wide.

Edge Position:

1. Loosen screws A and B (Figure 1), set the fabric edge to the desired position (Figure 2).

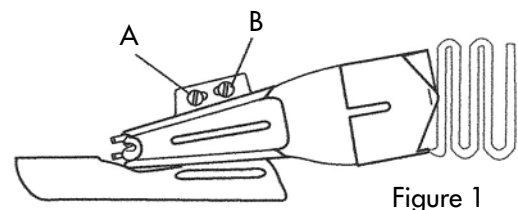


Figure 1

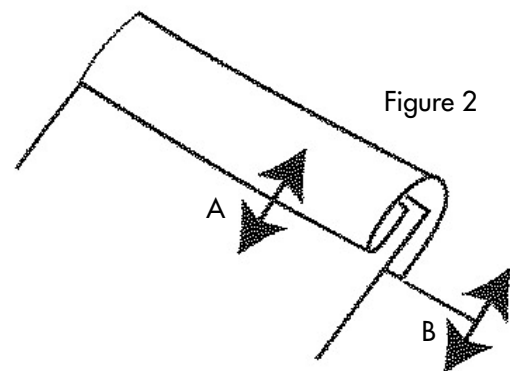


Figure 2



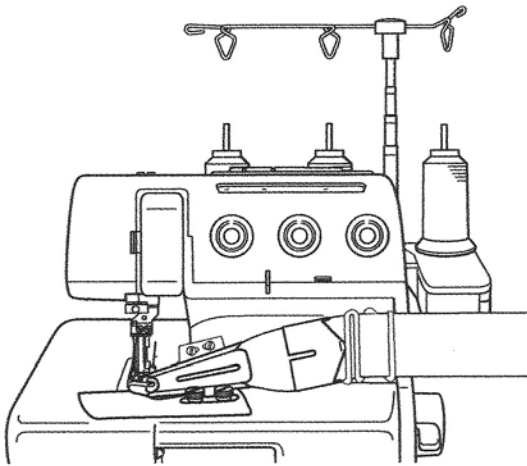
FOR THE LOVE OF SEWING

Sewing Instructions:

1. With the wrong side of the fabric facing you, feed the binding strips through the serpentine fabric guide and into the binder.

Note: Cut the end of the strip at an angle to help feed it through the binder.

2. Lay the excess fabric strip to the right of the machine, making sure the strip is free of tangles.
3. Keep binding strip flat when feeding into attachment to ensure the top fabric edge will roll under when sewing.
4. Pull binding strip out of the end of the binder and pivot the strip 90° to place it under the foot.
5. Make sure the binding strip is still folded when placing under the presser foot.
6. Feed the project to be bound along the left end of the attachment into the folded bias and under the presser foot.



FOR THE LOVE OF SEWING

www.babylock.com