

BABY LOCK SERGER ACCESSORIES

Single Fold Bias Binder

1-1/8 inch (28mm) (BLE8-S4)

1-5/8 inch (40mm) (BLE8-S5)

Instructions

This conventional binder will double fold and sew bias strips to your project in one quick step on the serger, using either a chain or cover stitch. Choose from two widths based on your preference.

MACHINE SETTINGS

Stitch type: 1-5/8"	Wide Cover Stitch C1-C3 Triple Cover Stitch C1-C2-C3
Stitch type: 1-1/8"	Wide Cover Stitch C1-C3
Stitch length:	3-4
Upper looper:	Down
Cutting blade:	Disengaged "LOCKED"
Sewing table:	On
Sewing speed:	Moderate to slow
Fabrics used:	Broadcloth, chambray, lace (width of bias strip), light weight denim

Cutting width of bias strips:

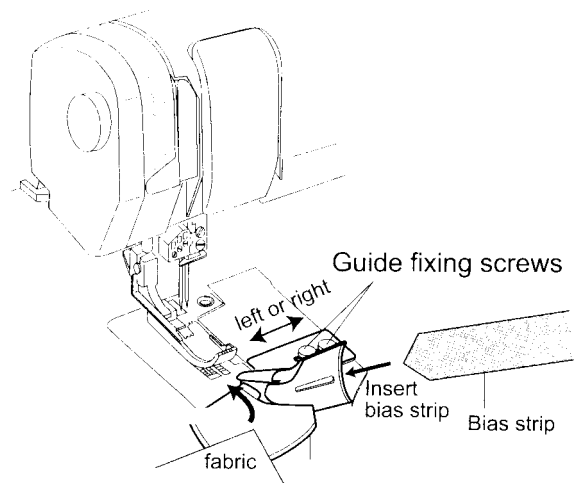
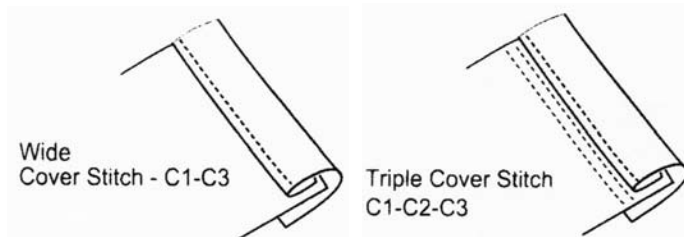
1-1/8 inch (28mm) - cut bias strip 1-3/8 inch wide

1-5/8 inch (40mm) - cut bias strip 1-5/8 inch wide

Note: Heavier fabrics may need to be cut narrower.



1. Secure attachment to table with guide fixing screws.
2. Feed bias strip into attachment with wrong side facing you.
3. With tweezers, pull the folded bias strip into the attachment, up to the needles and under the presser foot.
4. Turn the handwheel 3-4 times to secure the stitching in the fabric.
5. Make sure the alignment of the attachment is in place with the right needle position. The right needle must be sewing in the doubled fold on top of the fabric.
6. For proper attachment of bias to fabric, use wide or triple cover stitch.
7. When using triple cover stitch, the C3 needle thread is to be in the double fold edge and the C1 and C2 threads are to the left of the fold, sewing the raw edge down on the bottom of the fabric.
8. Sew test for proper alignment before sewing on project.



BABY LOCK

SASHIKO ACCESSORIES

Single Fold Bias Binder

1-1/8 inch (28mm) (BLE8-S4)

1-5/8 inch (40mm) (BLE8-S5)

Instructions

This conventional binder will double fold and sew bias strips to your project in one quick step on the Sashiko machine. Choose from two widths based on your preference.

MACHINE SETTINGS

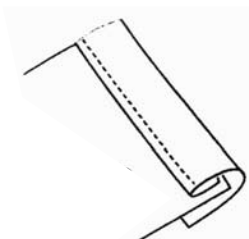
Stitch length:	2-5mm
Stitch space length:	2-5mm
Sewing speed:	Moderate to slow
Fabrics used:	Broadcloth, chambray, lace (width of bias strip), light weight denim

Cutting width of bias strips:

1-1/8 inch (28mm) - cut bias strip 1-3/8 inch wide

1-5/8 inch (40mm) - cut bias strip 1-5/8 inch wide

Note: Heavier fabrics may need to be cut narrower.



1. Secure attachment to base of the machine with guide fixing screws.
2. Feed bias strip into attachment with wrong side facing you.
3. With tweezers, pull the folded bias strip into the attachment, up to the needles and under the presser foot.
4. Take a few stitches to secure the fabric.
5. Make sure the alignment of the attachment is in place with the needle position. The needle must be sewing in the doubled fold on top of the fabric.
6. Sew test for proper alignment before sewing on project.

