

BABY LOCK SERGER ACCESSORIES

Plain Hemmer

1/4 inch (6.5mm)

(BLE8-S7)

Instructions

Guide fabric into a perfectly straight hem without any pre-project pressing. The plain hemmer is designed to be used for straight hemming only. Leave one seam of the garment open. After hemming, sew the seam closed.



MACHINE SETTINGS

Stitch type:	Chain stitch
Stitch width:	M-7.5
Needle:	C2 needle position
Stitch length:	3-4
Upper knife:	Disengaged "LOCKED"
Differential feed:	N
Sewing speed:	Moderate to slow
Upper looper:	Down
Sewing table:	On

Instructions:

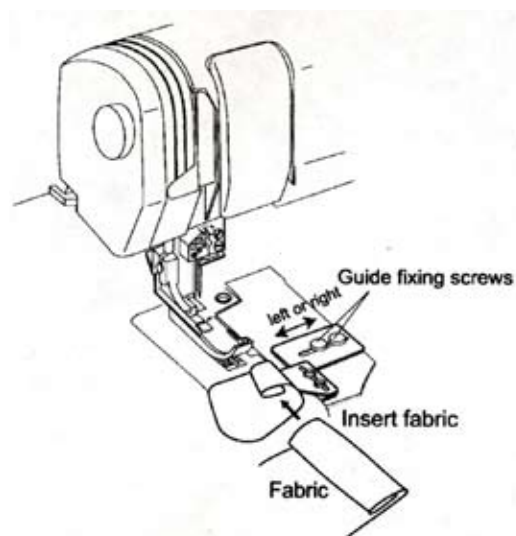
1. Secure attachment to table with guide fixing screws.
2. Turn under 1/4 inch and press with iron.
3. Raise presser foot. Slide fabric into attachment with the wrong side facing up, turning up and over to the left.
4. With a sewing awl, slide folded fabric under presser foot to the needle.
5. Lower the presser foot. Turn the handwheel 3-4 times to secure the fabric.
6. Align the attachment with the needle to sew the fabric edge.
7. With right hand, keep hem turned while left hand is guiding folded fabric into the hemmer.

Fabrics:

Firm broadcloth, trigger, weaver's cloth, lightweight denim. Not intended for use on polar fleece or sweatshirt fleece.



Chain Stitch-C2



Note: When using BLCS-2 or BLCS the accessory adaptor BLCS-AA is needed.



FOR THE LOVE OF SEWING

BABY LOCK

SASHIKO ACCESSORIES

Plain Hemmer

1/4 inch (6.5mm)

(BLE8-S7)

Instructions

Guide fabric into a perfectly straight hem without any pre-project pressing. The plain hemmer is designed to be used for straight hemming only. Leave one seam of the garment open. After hemming, sew the seam closed.

MACHINE SETTINGS

Stitch length:	2-5mm
Stitch space length	2-5mm
Sewing speed:	Moderate to slow

Fabrics:

Firm broadcloth, trigger, weaver's cloth, lightweight denim.



Instructions:

1. Secure attachment to base of machine with guide fixing screws.
2. Turn under 1/4 inch and press with iron.
3. Raise presser foot. Slide fabric into attachment with the wrong side facing up, turning up and over to the left.
4. With a sewing awl, slide folded fabric under presser foot to the needle.
5. Lower the presser foot. Take a few stitches to secure the fabric.
6. Align the attachment with the needle to sew the fabric edge.
7. With right hand, keep hem turned while left hand is guiding folded fabric into the hemmer.



FOR THE LOVE OF SEWING

800-422-2952

www.babylock.com