

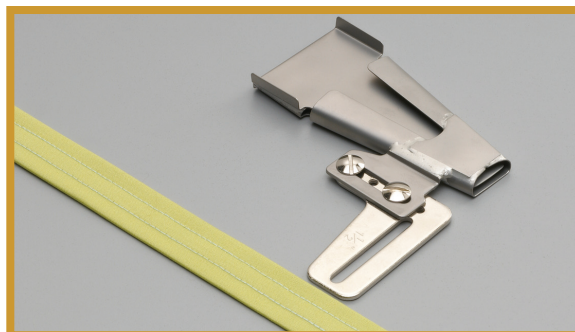
BABY LOCK SERGER ACCESSORIES

Belt Loop Folder

3/4 inch (19mm) (BLE8-S12)
1-1/2 inch (38mm) (BLE8-S11)

Instructions

Don't let the name fool you! You'll have plenty more options with this foot, which is exclusively for the Evolve serger. Easily create straps, drawstrings, decorative trim, purse handles and of course, belt loops. This binder takes all of the work out of bias strips by folding and pressing them for you. Choose from 3/4" or 1-1/2" sizes.



MACHINE SETTINGS

Stitch type:	Triple Cover Stitch C1-C2-C3 Wide Cover Stitch C1-C3 (This is not a good application for chain or narrow cover stitches)
Sewing speed:	Moderate to slow
Fabrics used:	Lightweight woven fabrics cut on the bias
Stitch length:	3-4
Cutting blade:	Disengaged "LOCKED"
Upper looper:	Down
Sewing table:	On

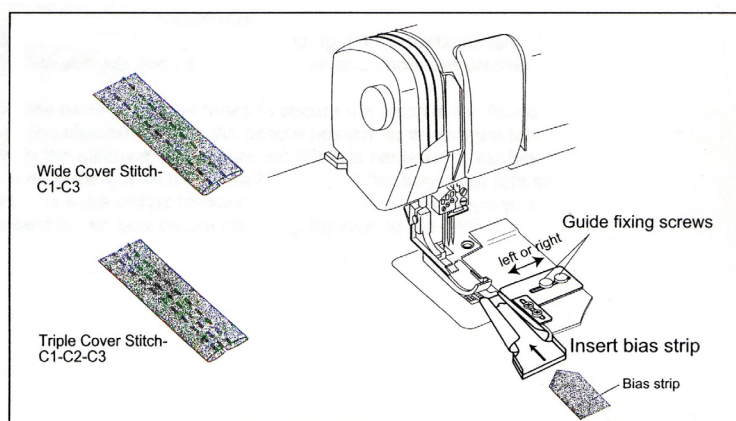
Instructions:

1. Cut bias fabric strips:
3/4 inch Folder - Cut to 7/8 inch wide (22mm)
1-1/2 inch Folder - Cut to 1-5/8 inch wide (37mm)

Note: The strips must be cut this width even though it is wider than the attachment measurements.

2. Feed bias strip, with right side facing up, into the attachment.
3. Pull bias through and up to the needles and under the presser foot.
4. Turn the handwheel 3-4 times to secure the stitch in the fabric.

5. Align the attachment with the needle position to ensure the folded fabric is caught in the stitching. Make sure the stitch is centered in the belt looping.
6. Be sure to allow 3 inches of extra bias strip at the beginning and ending of project. The extra will be trimmed away when finishing the project.
7. It is best to test sew before attaching the bias to the project.



Note: When using BLCS the accessory adaptor BLCS-AA is needed.



FOR THE LOVE OF SEWING