

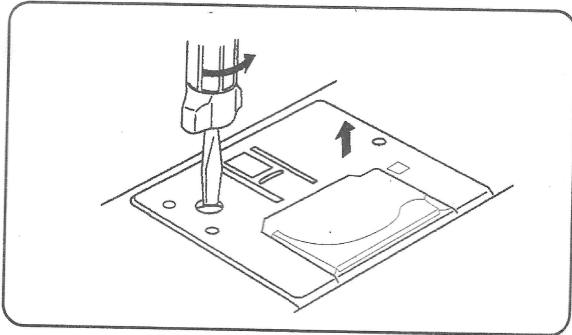
# HOW TO USE THE NEEDLE PLATE FOR STRAIGHT SEWING

★ Sewing machine model suited for use:

Memory Craft 9000, 10000, and 10001.

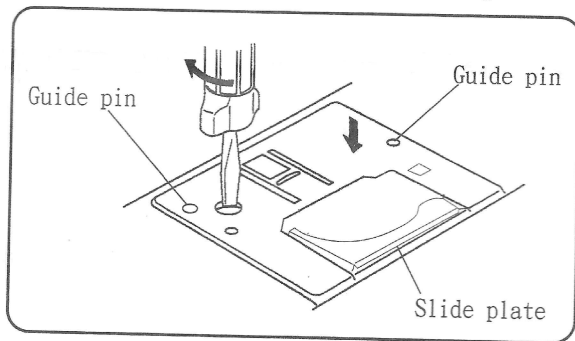
★ Changing the needle plate.

1. Remove the zigzag stitch needle plate.



Loosen the needle plate screw and remove the needle plate.

2. Attach the straight stitch needle plate.

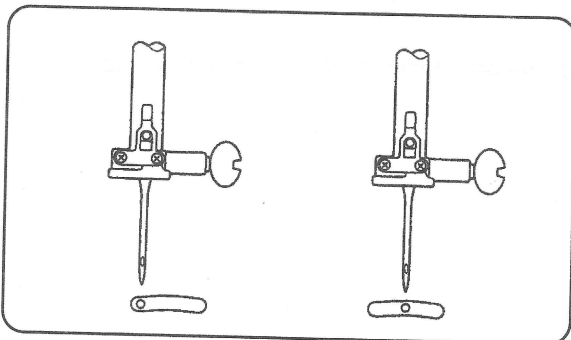


Match the needle plate guide holes with the two needle plate guide pins, and replace the needle plate screw.

NOTE: The straight stitch needle plate does not include slide plate. Therefore please detach the slide plate from the zigzag stitch needle plate and attach it to the straight stitch needle plate

★ Preparing the sewing machine.

1. Straight stitch



Use the sewing machine choosing straight stitch that the needle position is left or middle.